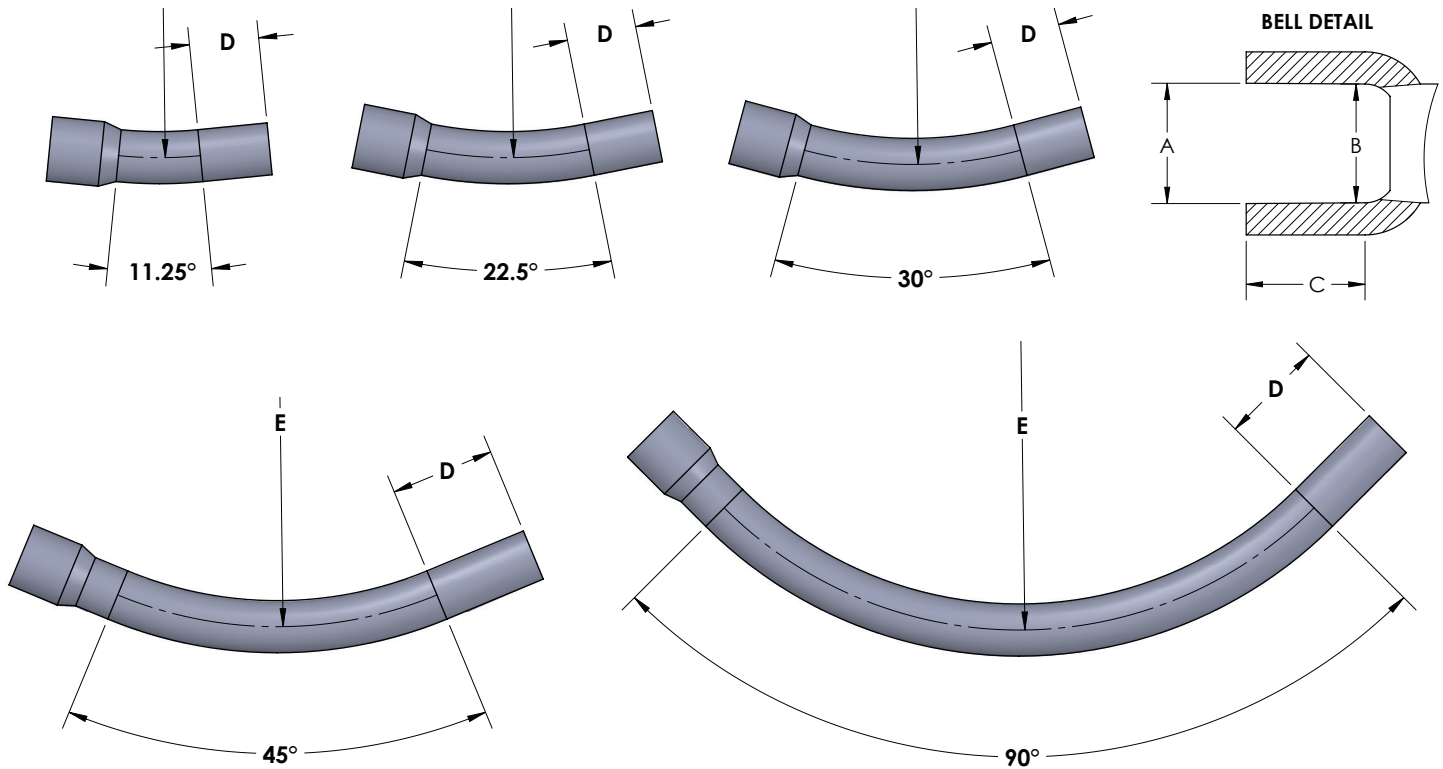


# Special Radius Elbows Schedule 40 and Schedule 80

## 11.25°, 22.5°, 30°, 45°, 90°, 24" Radius



Nominal Size	Dimensions (inches)				
	Bell Entrance A (Avg)	Bell Bottom B (Avg)	Bell Length C (Min)	Tangent Length D (Min)	Typical Radius E
1	1.330	1.310	0.875	1.875	24
1 ¼	1.677	1.655	0.938	2.000	24
1 ½	1.918	1.894	1.062	2.000	24
2	2.393	2.369	1.125	2.000	24
2 ½	2.890	2.868	1.469	3.000	24
3	3.515	3.492	1.594	3.125	24
3 ½	4.015	3.992	1.687	3.250	24
4	4.515	4.491	1.750	3.375	24

Tested and Certified by ETL Intertek to UL 651

Available in both bell end and plain end versions. Bell dimensions do not apply to plain end sweeps.



**Intertek**

Item availability may vary by region.

NOTE: Special orders are non-cancelable, non-returnable and non-refundable