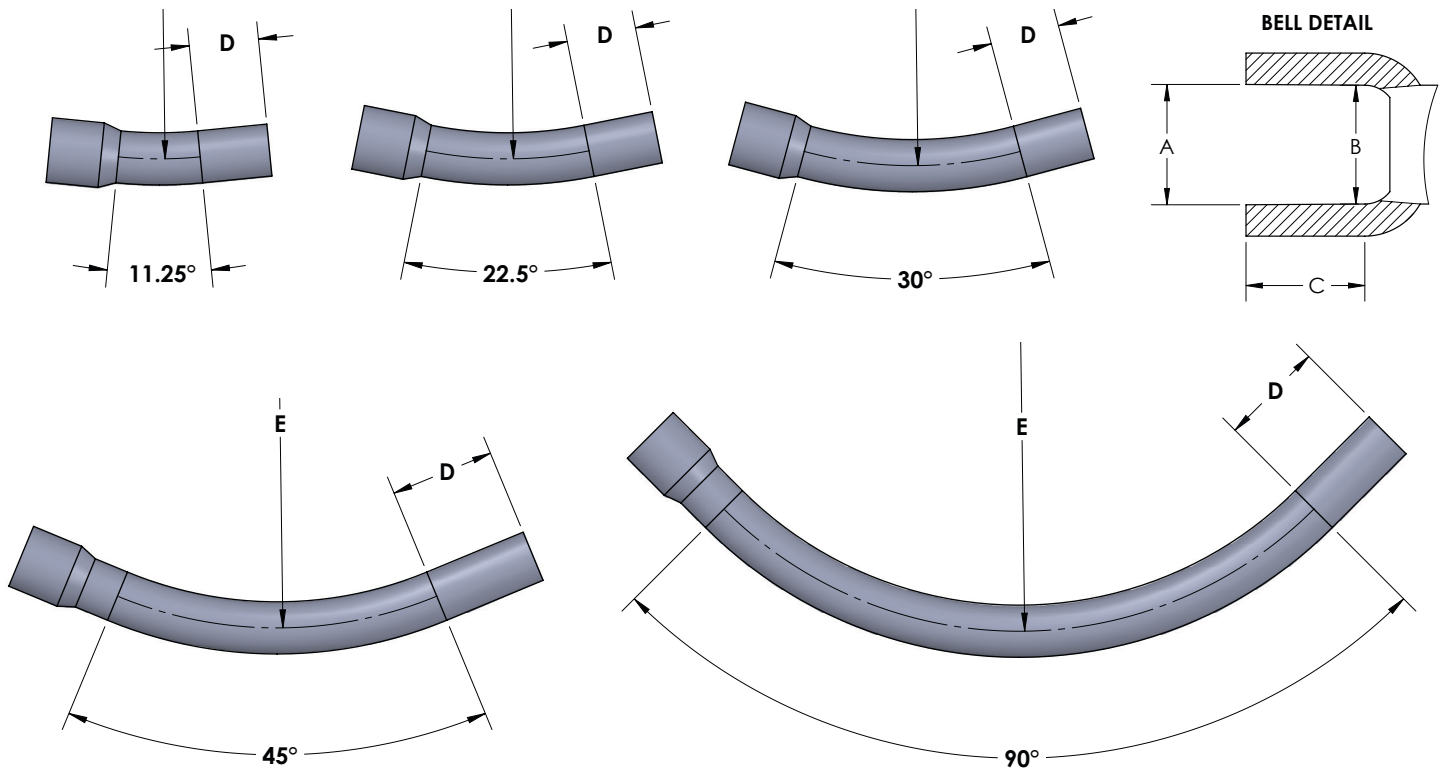


Special Radius Elbows Schedule 40 and Schedule 80



Nominal Size	Dimensions (inches)				
	Bell Entrance A (Avg)	Bell Bottom B (Avg)	Bell Length C (Min)	Tangent Length D (Min)	Typical Radius E
1	1.330	1.310	0.875	1.875	48
1 ¼	1.677	1.655	0.938	2.000	48
1 ½	1.918	1.894	1.062	2.000	48
2	2.393	2.369	1.125	2.000	48
2 ½	2.890	2.868	1.469	3.000	48
3	3.515	3.492	1.594	3.125	48
3 ½	4.015	3.992	1.687	3.250	48
4	4.515	4.491	1.750	3.375	48
5"	5.593	5.553	1.937	3.625	48
6"	6.658	6.614	2.125	3.750	48

Tested and Certified by ETL Intertek to UL 651

Available in both bell end and plain end versions. Bell dimensions do not apply to plain end sweeps.



Intertek

Item availability may vary by region.

NOTE: Special orders are non-cancelable, non-returnable and non-refundable