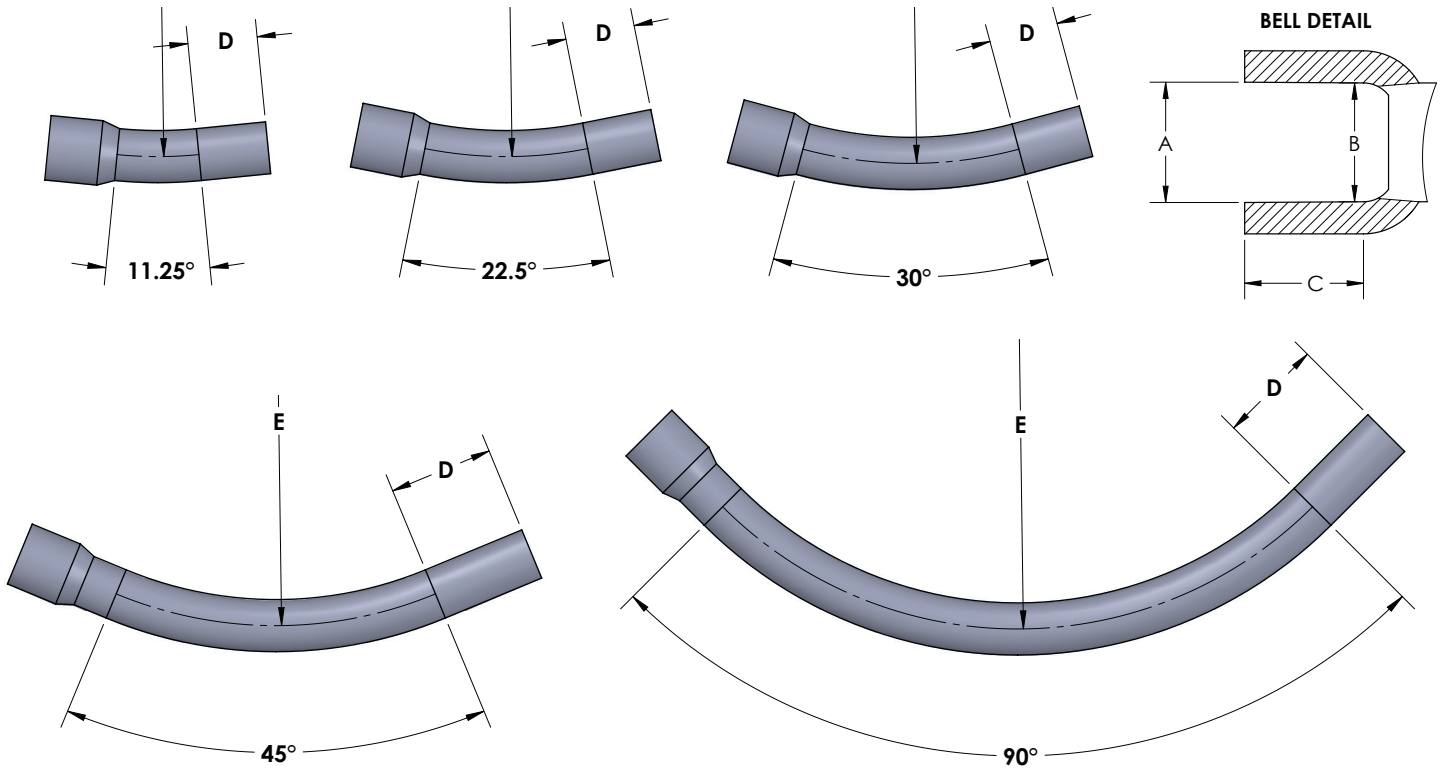


Special Radius Elbows Schedule 40 and Schedule 80

11.25°, 22.5°, 30°, 45°, 90° Radius



Nominal Size	Dimensions (inches)				
	Bell Entrance A (Avg)	Bell Bottom B (Avg)	Bell Length C (Min)	Tangent Length D (Min)	Typical Radius E
1	1.330	1.310	0.875	1.875	60
1 ¼	1.677	1.655	0.938	2.000	60
1 ½	1.918	1.894	1.062	2.000	60
2	2.393	2.369	1.125	2.000	60
2 ½	2.890	2.868	1.469	3.000	60
3	3.515	3.492	1.594	3.125	60
3 ½	4.015	3.992	1.687	3.250	60
4	4.515	4.491	1.750	3.375	60
5"	5.593	5.553	1.937	3.625	60
6"	6.658	6.614	2.125	3.750	60

Tested and Certified by ETL Intertek to UL 651

Available in both bell end and plain end versions. Bell dimensions do not apply to plain end sweeps.



Intertek

Item availability may vary by region.

NOTE: Special orders are non-cancelable, non-returnable and non-refundable