

Set Screw Rigid Connectors Threadless for Rigid Conduit & IMC

Features

- Concrete tight when taped
- Available with insulated throat
- NPT thread above 2"
- RoHS compliant

Standard Materials

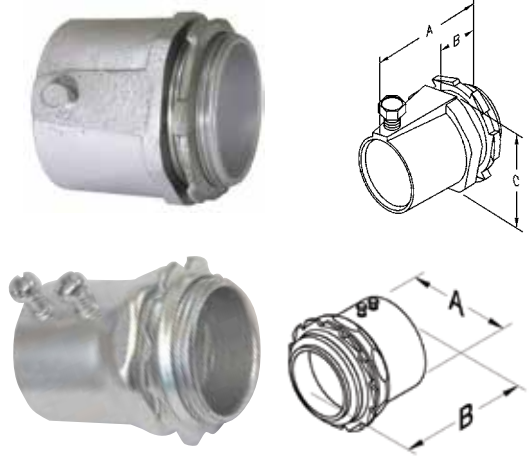
- Malleable Iron / Ductile
- Iron – Steel

Standard Finish

- Zinc plated

Applicable Third Party Standards

- UL Standard:5 14B
- Fed. Spec. A-A-50553
- NEMA: FB-1
- UL Listed File # E207875



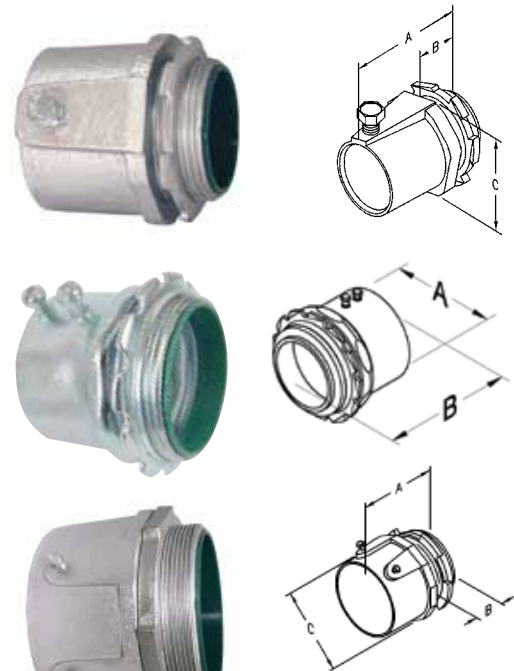
Catalog Number	Trade Size (in)	Dim A (in)	Dim B (in)	Dim C (in)	Inner Pack	Master Pack	Weight Per C (lb)
Non-Insulated							
RSC50KON	½	1.375	0.438	1.313	25	250	17.4
RSC75KON	¾	1.688	0.500	1.563	25	100	29.6
RSC100KON	1	1.938	0.563	1.875	5	25	42.4
RSC125KON	1¼	2.188	0.625	2.188	5	25	57.5
RSC150KON	1½	2.313	0.625	2.500	5	20	78.6
RSC200KON	2	2.438	0.625	2.938	2	10	101.8
SC250RKON**	2½	3.440	3.190	-	-	8	130.0
SC300RKON**	3	3.130	3.810	-	-	6	140.0
SC350RKON**	3½	4.750	4.310	-	-	4	180.0
SC400RKON**	4	4.250	4.880	-	-	4	225.0
RSC500KON*^	5	4.688	1.375	6.5	-	1	900.0
RSC600KON*^	6	4.938	1.500	7.5	-	1	1226.4

Non-Insulated

* Furnished with two set screws
 ^ 5" and 6" are NOT UL approved
 +Steel

Catalog Number	Trade Size (in)	Dim A (in)	Dim B (in)	Dim C (in)	Inner Pack	Master Pack	Weight Per C (lb)
Insulated							
RSC50-ICKON	½	1.375	0.500	1.313	25	250	18.0
RSC75-ICKON	¾	1.688	0.563	1.563	25	100	26.7
RSC100-ICKON	1	1.938	0.625	1.875	5	25	43.8
RSC125-ICKON	1¼	2.188	0.688	2.188	5	25	55.7
RSC150-ICKON	1½	2.313	0.688	2.500	5	20	79.1
RSC200-ICKON	2	2.438	0.688	2.938	2	10	92.7
SC250-ICRKON**	2½	3.125	3.188	-	-	8	131.3
SC300-ICRKON**	3	3.750	3.813	-	-	6	141.4
SC350-ICRKON**	3½	4.250	4.313	-	-	4	181.8
SC400-ICRKON**	4	4.750	4.875	-	-	4	227.3
RSC500-ICKON*^	5	4.688	1.438	6.500	-	1	926.0
RSC600-ICKON*^	6	4.938	1.563	7.500	-	1	1203.2

* Furnished with two set screws
 ^ 5 and 6 are NOT UL approved
 +Steel



Insulated



RIGID • IMC