

## Rigid IMC

### Universal Super Fitting™ 5 Piece Coupling

#### Applications

- Used to join two lengths of conduit; couples conduit when conduit cannot be turned
- Threaded GRC/IMC to threaded GRC/IMC
- Threaded GRC/IMC to unthreaded GRC/IMC/EMT/PVC (2½" to 4")
- Unthreaded GRC/IMC/EMT/PVC to unthreaded GRC/IMC/EMT/PVC

#### Features

- UL Listed concrete tight
- Permitted for use in Class I Division 2 locations per section 501.10(B)(1) of the NEC®
- Permitted for use in Class II Division 2 locations per section 502.10(B)(1) of the NEC®
- Ease of installation/quick-connect
- Universal connecting - threaded to threaded, threaded to unthreaded
- No more turning conduit
- Self Pipe Alignment
- Eliminates field threading
- Fit GRC/IMC/EMT (fits all UL approved metal conduit)
- Fit PVC Schedule 40 and Schedule 80
- Lightweight

#### Standard Materials

- Steel

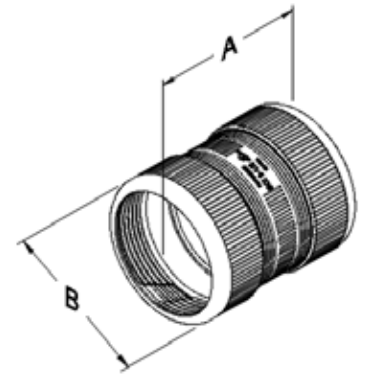
#### Standard Finish

- Zinc plated

#### Applicable Third Party Standards

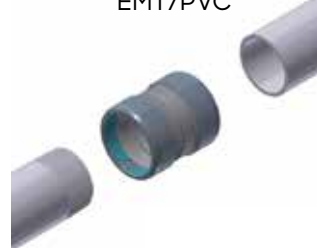
- UL us listed UL 514B; C22.2 No. 18.3-12
- UL Listed File # E207875

#### U.S. Patent No. 8.586.881

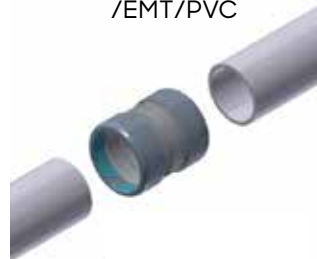


Threaded GRC/IMC to Unthreaded GRC/IMC/EMT/PVC

Threaded GRC/IMC to Threaded GRC/IMC



Unthreaded GRC/IMC/EMT/PVC to Unthreaded GRC/IMC/EMT/PVC



Catalog Number	Replaces Part Number	Trade Size (in)	Dim A (in)	Dim B (in)	Inner Pack	Master Pack	Weight Per C (lb)
SRCK50KON*	RCK50KON	½	1.471	1.240	25	100	28.0
SRCK75KON*	RCK75KON	¾	1.492	1.440	25	100	33.2
SRCK100KON*	RCK100KON	1	1.731	1.720	10	50	42.8
SRCK125KON*	RCK125KON	1¼	1.928	2.070	5	25	66.8
SRCK150KON*	RCK150KON	1½	2.006	2.320	5	25	78.0
SRCK200KON*	RCK200KON	2	2.004	2.800	2	10	98.4
SRCK250KON**	RCK250KON	2½	4.120	3.450	2	-	230.0
SRCK300KON**	RCK300KON	3	4.160	4.080	1	-	290.0
SRCK350KON**	RCK350KON	3½	4.450	4.590	1	-	380.0
SRCK400KON**	RCK400KON	4	4.500	5.090	1	-	430.0

\* Use with Rigid, IMC

\*\* Use with Rigid, IMC, EMT, and PVC