

Rigid IMC

Universal Super Fitting™ Connector

Applications

- Used to join conduit to a metal enclosure
- Metal enclosure to threaded GRC/IMC
- Metal enclosure to unthreaded GRC/IMC
- Metal enclosure to PVC
- Metal enclosure to thin wall EMT (2½" to 4")

Features

- UL Listed concrete tight
- Permitted for use in Class I Division 2 locations per section 501.10(B)(1) of the NEC®
- Permitted for use in Class II Division 2 locations per section 502.10(B)(1) of the NEC®
- Ease of installation/quick-connect
- Universal connecting - threaded or unthreaded
- No more turning conduit
- Self pipe alignment
- Eliminates field threading
- Fit GRC/IMC/EMT (fits all UL approved metal pipe)
- Fit PVC Schedule 40 and Schedule 80
- Lightweight

Standard Materials

- Steel

Standard Finish

- Zinc plated

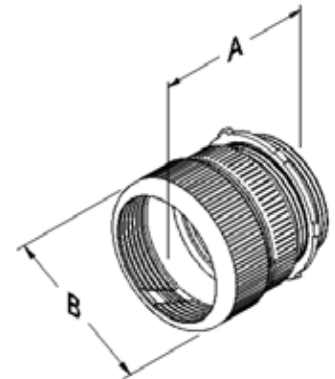
Applicable Third Party Standards

- UL us Listed UL 514B; C22.2 No. 18.3-12
- UL Listed File # E207875

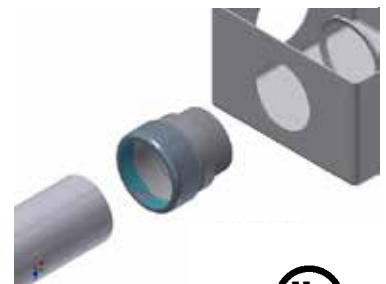
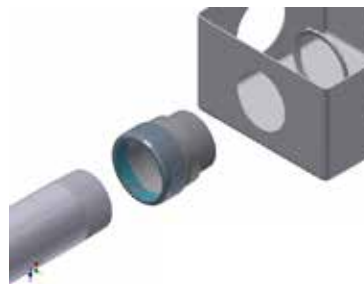
U.S. Patent No. 8.586.881



Threaded GRC/IMC
to Metal Box



Unthreaded GRC/IMC/
EMT/PVC
to Metal Box



Catalog Number	Replaces Part Number	Trade Size (in)	Dim A (in)	Dim B (in)	Inner Pack	Master Pack	Weight Per C (lb)
SRCC50KON*	RCC50KON	½	1.837	1.240	25	100	22.6
SRCC75KON*	RCC75KON	¾	1.877	1.440	25	100	28.0
SRCC100KON*	RCC100KON	1	2.111	1.720	10	50	38.2
SRCC125KON*	RCC125KON	1¼	2.339	2.070	5	25	57.2
SRCC150KON*	RCC150KON	1½	2.427	2.320	5	25	69.4
SRCC200KON*	RCC200KON	2	2.505	2.800	2	10	87.4
SRCC250KON**	RCC250KON	2½	3.460	3.450	2	-	210.0
SRCC300KON**	RCC300KON	3	3.490	4.080	1	-	270.0
SRCC350KON**	RCC350KON	3½	3.730	4.590	1	-	340.0
SRCC400KON**	RCC400KON	4	3.810	5.090	1	-	390.0

* Use with Rigid and IMC

** Use with Rigid, IMC, EMT and PVC