

Female to Female

Die Cast Pull Elbows

Features

- Female to Female: For connecting rigid conduit or IMC to rigid conduit or IMC to form 90° bend
- Male to Female: For connecting rigid conduit or IMC to box or enclosures to form 90° bend
- Cover and gasket included

Standard Materials

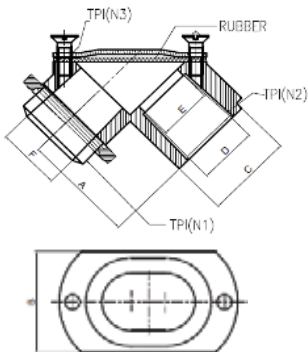
- Zinc Die Cast
- Gasket - Neoprene

Standard Finish

- Vibratory Finish

Applicable Third Party Standards

- UL Standard: 514B
- UL Listed File E207875
- RoHS



Male to Female



Female to Female

Catalog Number	Trade Size (in)	Dim A (in)	Dim B (in)	Dim C (in)	Dim D (in)	Dim E (in)	TPI (N1)	TPI (N2)	Screws Used	Inner Pack	Master Pack	Weight Per C (lb)
PEFD-50KON	½	1.280	1.024	0.992	0.750	0.630	14	8-32 UNC	2	20	200	15.3
PEFD-75KON	¾	1.390	1.319	1.260	0.960	0.765	14	8-32 UNC	2	15	150	23.5
PEFD-100KON	1	1.945	1.551	1.512	1.190	1.022	11.5	8-32 UNC	2	6	60	46.6
PEFD-125KON	1¼	2.276	1.900	1.898	1.561	1.299	11.5	8-32 UNC	2	3	30	73.9

Male to Female

Catalog Number	Trade Size (in)	Dim A (in)	Dim B (in)	Dim C (in)	Dim D (in)	Dim E (in)	Dim F (in)	TPI (N1)	TPI (N2)	TPI (N3)	Screws Used	Nuts Used	Inner Pack	Master Pack	Weight Per C (lb)
PEMD-50KON	½	1.311	1.024	0.961	0.753	0.587	0.600	14	14	8-32 UNC	2	1	20	200	18.1
PEMD-75KON	¾	1.385	1.306	1.23	0.955	0.810	0.800	14	14	8-32 UNC	2	1	15	150	26.5

