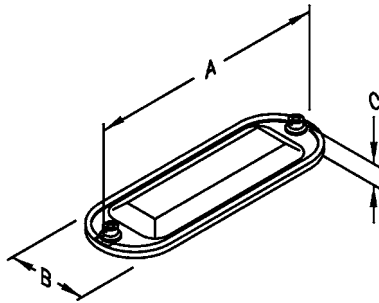




SCG-ALKON



Form 5 Raised Dome, Stamped Aluminum Conduit Body Cover with Integral Gasket

Applications

To provide access to conductors for pulling, splicing and maintenance

Features

- Raised dome provides additional wiring room
- Captive, stainless steel screws
- Suitable for use in concrete
- NEMA 4 Watertight

Standard Materials

- Covers - Stamped aluminum
- Gasket - Neoprene rubber

Applicable Third Party Standards

- UL Standard: 514A
- Fed. Spec. A-A-50563
- NEMA: FB-1
- NEMA 4
- UL Listed File # E208392

U.S. Patent No. 8.129.631

Raised Dome Stamped Aluminum

Catalog Number	Trade Size (in)	Dim A (in)	Dim B (in)	Dim C (in)	Inner Pack	Weight Per C (lb)
SCG1ALKON	1/2	3.938	1.375	0.190	50	6.3
SCG2ALKON	3/4	4.688	1.625	0.190	50	8.1
SCG3ALKON	1	5.375	1.875	0.190	50	10.0
SCG4ALKON	1 1/4 - 1 1/2	7.200	2.625	0.190	50	18.8
SCG5ALKON	2	9.563	3.250	0.215	25	28.1
SCG6ALKON	2 1/2 - 3	12.313	4.438	0.250	10	60.3
SCG7ALKON	3 1/2 - 4	14.875	5.688	0.250	10	89.7

