

## Conduit Bodies, Covers, Gaskets

### Form 7 Conduit Bodies

#### Applications

To provide access to conductors for pulling, splicing and maintenance

#### Features

- Tapered threaded hubs - NPT
- Suitable for use in concrete

#### Standard Materials

- Cover and clips - steel
- Screws - Stainless steel
- Gasket - Neoprene
- Body - Grey Iron

#### Standard Finish

- Zinc plated with aluminum enamel paint

#### Applicable Third Party Standards

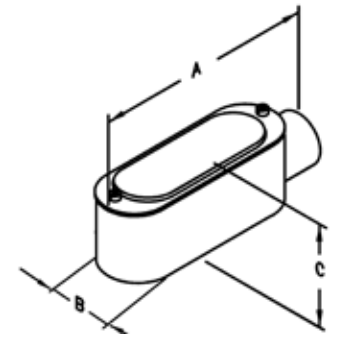
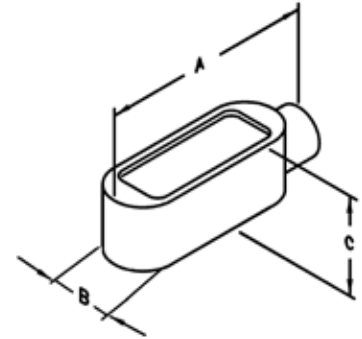
- UL Standard: 514A
- Fed. Spec. A-A-50563
- NEMA: FB-1
- CSA 243470
- UL Listed File # E208392



EKON



E-CGKON  
Cover & Gasket Included



### Threaded E Conduit Bodies

Catalog Number	Trade Size (in)	Dim A (in)	Dim B (in)	Dim C (in)	Master Pack	Weight Per C (lb)
E17KON	½	4.563	1.313	1.438	5	75.5
E27KON	¾	5.188	1.500	1.688	5	106.1
E37KON	1	6.063	1.750	1.875	5	142.6

### Threaded E Conduit Bodies with Cover and Gasket

Catalog Number	Trade Size (in)	Dim A (in)	Dim B (in)	Dim C (in)	Master Pack	Weight Per C (lb)
E17-CGKON	½	4.563	1.313	1.688	5	90.2
E27-CGKON	¾	5.188	1.500	1.938	5	124.5
E37-CGKON	1	6.063	1.750	2.188	5	168.0