

PVC COATED CONDUIT BODIES - TB MARK 9

Features:

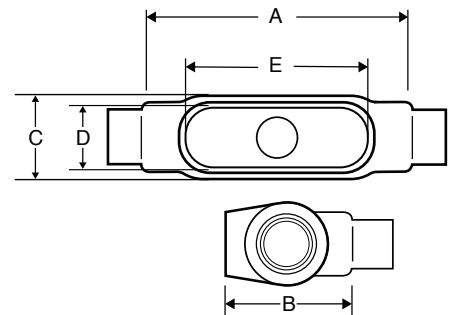
- Exterior PVC coating thickness is a minimum 0.040"
- Interior urethane coating thickness is a minimum 0.002"
- Specialized corrosion resistant coating provided on threads
- Sizes available are ½" to 2"
- Fittings are supplied with plastic encapsulated stainless steel screws

Applications:

Allied Tube & Conduit® offers the full line Mark 9 PVC Coated Aluminum Conduit Bodies. All fittings are supplied with PVC aluminum covers. The sleeved threaded ends offer complete protection against corrosion while maintaining full ground continuity throughout the installed system.

Standards:

- UL Standard 514B
- CSA Standard: C22.2 No. 18



Part Number	Trade Size (in)	Metric Size (mm)	A (in)	B (in)	C (in)	D (in)	E (in)
PA0500TB19	½	16	6.69	1.48	1.46	1.00	3.31
PA0700TB29	¾	21	7.78	1.73	1.27	1.19	3.94
PA1000TB39	1	27	9.31	4.17	1.83	1.38	4.56
PA1200TB49	1¼	35	11.00	4.38	2.27	1.75	5.31
PA1500TB59	1½	41	13.38	5.08	2.83	2.13	6.50
PA2000TB69	2	53	14.25	3.83	3.83	3.00	8.56

All dimensions are for informational purposes only *Tolerances +/- 5%



For more info visit alliedeg.us